



Choose your own direction.

Available in:

85 to 199 MBH

Key benefits:

- ECM Pump
- Wi-Fi
- Primary / Secondary Piping
- Left or right hand reversible connections



95-96% AFUE



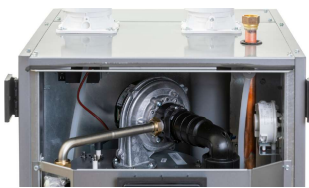
www.ntiboilers.com

NTI COMPASS



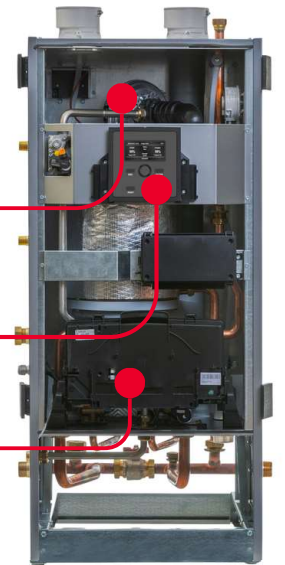
CHOOSE YOUR OWN DIRECTION

NTI meticulously engineers boilers with a focus on flexibility, convenient accessibility, and optimal efficiency.



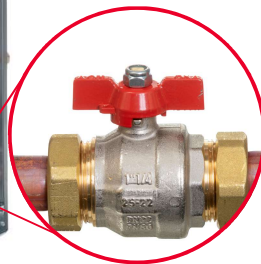
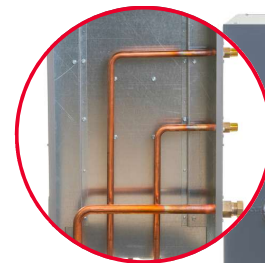
The NTI Compass offers the flexibility of either direct vent or indoor combustion air. Each vent is furnished with a test port for accurate setup and adjustments. Installation allows for combustion air and vent placement in various locations or pressure zones.

Effortless setup is within your reach. The NTI Compass control interface incorporates an intuitive Set-up Wizard for easy configuration. All information is presented in clear and straightforward English, with the option to choose from multiple languages.



Ease of service is a distinguishing feature of NTI design. Every component is readily accessible, with ample working space for the installer.

Ideal for replacing cast iron or floor mount condensing boilers. All plumbing connections (CH, DHW, condensate drain, gas) are independently reversible from side to side. No matter what your piping needs are, we've got you covered.



Built-in primary/secondary piping makes sure the job's done right. If the system already has primary/secondary piping, just close the internal valve and use the system piping. A true time saver!



Additional Technical Features:

- Integrated 2-zone controller (2x CH inputs and outputs)
- Optional NTI 3-Zone Controller communicates directly with boiler control (expands zone management to 5 zones)
- Adjustable Outdoor Reset via outdoor sensor (included) or internet weather data (via Wi-Fi)
- Cascade up to 8 boilers
- Indirect water heater ready – either with tank thermostat or sensor
- Field convertible to LP (kit included)
- Extremely quiet sealed cabinet design
- Optional 4-20mA or 0-10V input
- CH, DHW, and 2 pump outputs
- Integrated easy-to-service DHW filter
- Error history included
- High-energy ignition transformer

NTI COMPASS

EXCLUSIVE NTI NET WI-FI CONNECTIVITY

Wi-Fi on board for remote access and monitoring

Each unit comes equipped with an integrated Wi-Fi gateway, enabling the boiler to connect to the internet. This connection allows for remote accessibility via "NTI Remote Contractor," NTI's web-based tele-diagnostic service. Registered "NTI Remote Contractors" benefit from an intuitive web service, providing seamless management of NTI boiler installations and remote access to each connected boiler's central system.

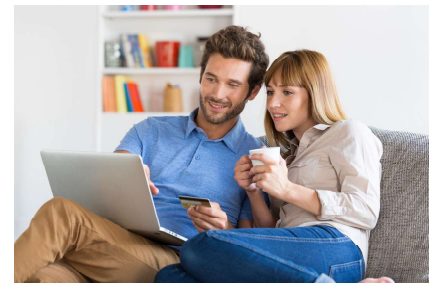
Service companies can efficiently monitor all their Wi-Fi-enabled NTI boilers using the NTI Web App. The remote diagnostic system, coupled with 24/7 monitoring, brings you closer to your customer than ever before.

This connectivity empowers technicians to remotely view real-time boiler data, including readings, settings, status, history, and statistics, in an easily understandable format. Making setting adjustments is a breeze – modify the setting and submit, and the service will implement the change while tracking who made the adjustment and when.

In instances where customers report inconsistent heat or hot water, remote investigation becomes seamless by reviewing the boiler's error or irregularity history, eliminating the need for a site visit. Immediate email notifications for blocking errors ensure you're aware of an issue before your customer is.

Hot Water

The NTI Compass is offered in two versions: Combi and System. Both versions incorporate robust hydraulic components fabricated from solid brass and a reliable 3-way valve to divert boiler water for space heating or domestic hot water heating.



AIC Vertical Fire Tube Heat Exchanger

The NTI Compass series uses a fire tube heat exchanger from AIC®, the world leader in fire tube technology. With a rugged construction from SA-240 S43932 Chromium stainless steel, produced in a state-of-the-art automated production facility, the heat exchanger exhibits the highest quality and durability.

The down-fired fire tube design makes it highly resistant to combustion chamber fouling – an issue for many other condensing heat exchanger types. Through accelerated lifecycle testing and vast field experience, the NTI Compass heat exchanger has proven to resist scale and magnetite formation – an issue that can plague some other fire tube heat exchangers.

The innovative dimpled tubes extract more of the heat from the flue gases, while maintaining a compact size without the need for tube inserts that degrade over time.



NTI COMPASS

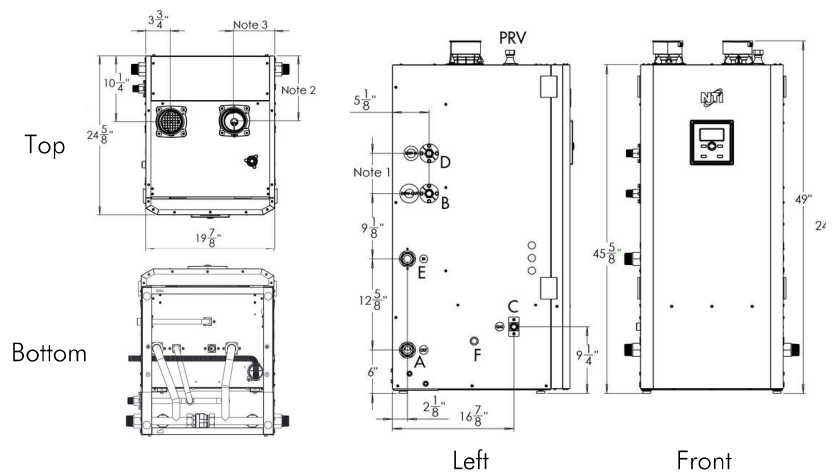
CONSTRUCTED WITH TRUST IN MIND

At NTI, we produce all our boilers adhering to the most stringent industry standards. Our Quality Control tests conducted in the factory are unparalleled in their rigor. Each NTI Compass boiler undergoes live-fire testing and meticulous calibration for peak performance. With our limited lifetime warranty, you can be confident in years of trouble-free operation, and our unmatched Technical Support further ensures your peace of mind.

Dimensions

A	Central Heating Supply
B	Supply to Indirect Water Heater; *DHW Out
C	Gas Inlet
D	Return from Indirect Water Heater; *DHW In
E	Central Heating Return
F	Condensate Drain
PRV	Pressure Relief Valve
Note 1	Combi = 8-3/4" System = 5-5/8"
Note 2	NC085-110 = 11" NC150-199 = 10-1/4"
Note 3	NC085-110 = 6" NC150-199 = 6-3/8"

*for Combi version



Specifications

MODEL		NC085	NC110	NC150	NC199	NC110C	NC150C	NC199C	
Order Code		3260177	3260178	3260180	3260182	3260179	3260181	3260183	
Capacity	Input Rating CH ¹	MBH	8.5-85	11-110	15-150	19.9-199	11-110	15-150	19.9-199
	Input Rating DHW ¹								
	Heating Capacity ^{1 2}		79	101	138	184	101	138	184
	Net AHRI Rating, Water ²		69	88	120	160	88	120	160
	Modulation (turndown)	Ratio	10:1						
Performance	AFUE	%	96	95					
DHW Flow	35°F Rise	GPM	N/A			5.8	7.9	10.5	
	45°F Rise		4.5	6.1	8.2				
	77°F Rise		2.6	3.6	4.8				
Venting Length ^{3 4}	2" Min-Max Exhaust	Ft	6-100						
	2" Min-Max Inlet		0-100						
	3" Min-Max Exhaust		6-150						
	3" Min-Max Inlet		0-150						
Volume	Water Content	Gallons	2.6	3.5	4.2	2.7	3.6	4.3	
Weight	Approx "Full Boiler"	Lbs	176	192	209	178	195	212	
	Shipping		193	203	214	194	204	215	
	Safety Devices	Flame Rectifier Probe, Temperature Limit Control (190°F), Water Pressure Switch (Min. 8 PSI), Freeze Protection, Condensate Trap, Flue Temperature High Limit Sensor (199°F)							

¹ Listed Input and Output Ratings are at minimum vent lengths at an altitude of 0 - 2000 ft. Numbers will be lower with longer venting and/or altitudes greater than 2000 ft.

² Ratings based on standard test procedures prescribed by the US Department of Energy and certified to ANSI Z21.13/CSA 4.9

³ The NTI Compass requires a special venting system. Use only the vent materials and methods detailed in these installation instructions.

⁴ It is permissible to use SS vent material, however, only PVC/CPVC/PP can be directly inserted into the appliance adapters.



Scan here
for more
information!

Distributed by:



Products you need
from people who care

NTI BOILERS INC.

30 Stonegate Drive, Saint John
New Brunswick E2H 0A4 Canada

Tel: 506-657-6000 Toll-free: 800-688-2575

Fax: 506-432-1135